

## ▲ ADJUSTABLE POST HOLDER

▲ ART NO: 911126

▲ USED FOR ATTACHING THE HALL SYSTEM TO ENABLE ADJUSTMENT OF THE POSITION OF THE EDGE PROTECTION

▲ EASY ADJUSTMENT IN/OUT

▲ ADJUSTMENT WITH IMPACT WRENCH NUT RUNNER

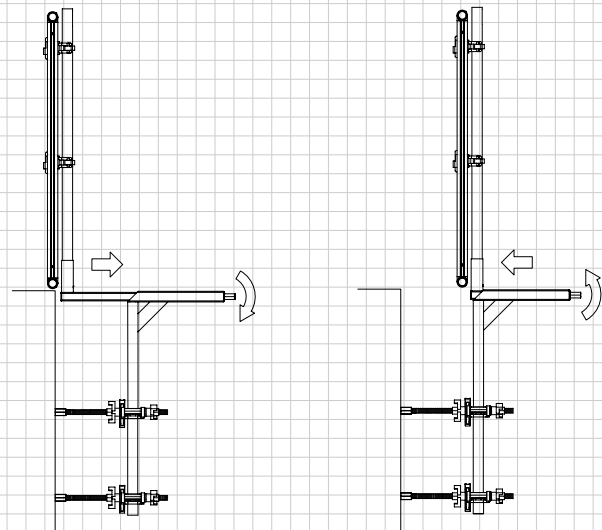
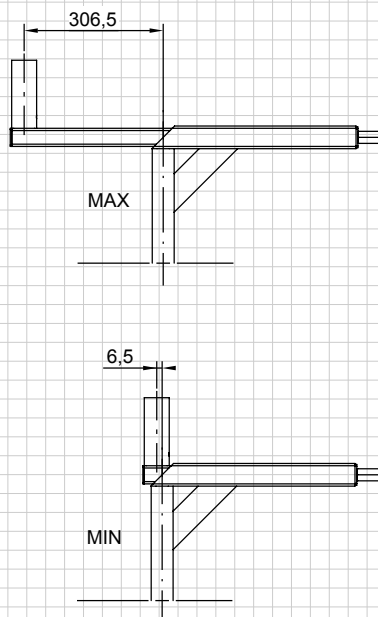
▲ HOT DIP GALVANIZED

▲ TO USE WITH POST 1,5 M ALU

▲ WELDED CONSTRUCTION

▲ WEIGHT 7,9 KG

▲ DELIVERED IN STACKABLE PALLET 50 PCS



We reserve the right to make technical changes.