










PART NO 5040034

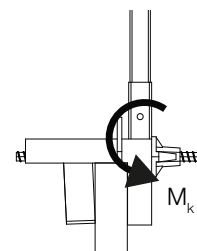
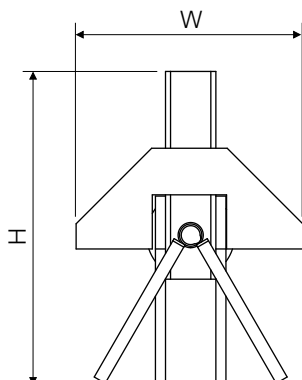
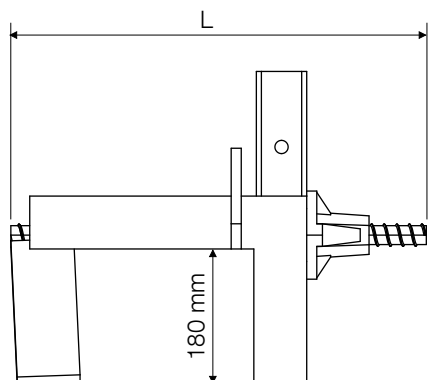
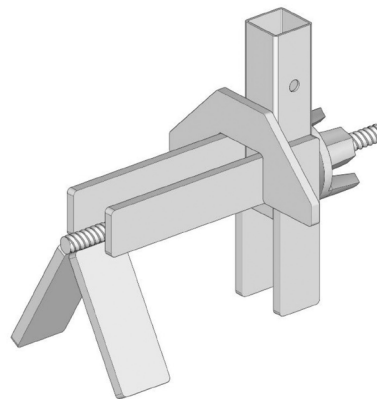
VT CLAMP 150

Tving 150 VT | VT Klemme 150 (Verbauklemme)

-  L: 330 mm
-  W: 180 mm
-  H: 249 mm
-  4,8 kg
-  Steel + Zn (hot dip galvanized)
-  EN13374 – A



-  1,24 × 0,84 × 0,97 m
-  550 kg
-  100 pcs



BENDING MOMENT (Q)¹ (Unfactored)

M_k	520 Nm
-------	--------

¹⁾ Loads acc. to EN 13374:2013

$$Q_{ki} \times \gamma_F^* = E_d \leq R_d = R_k / \gamma_M$$

* $\gamma_F = 1,5$

