










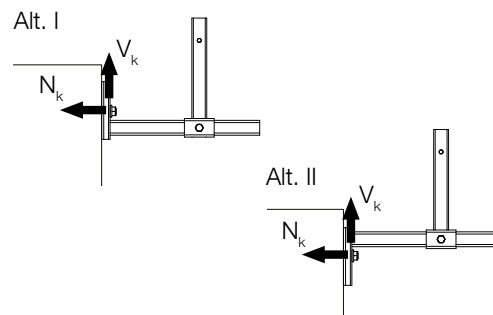
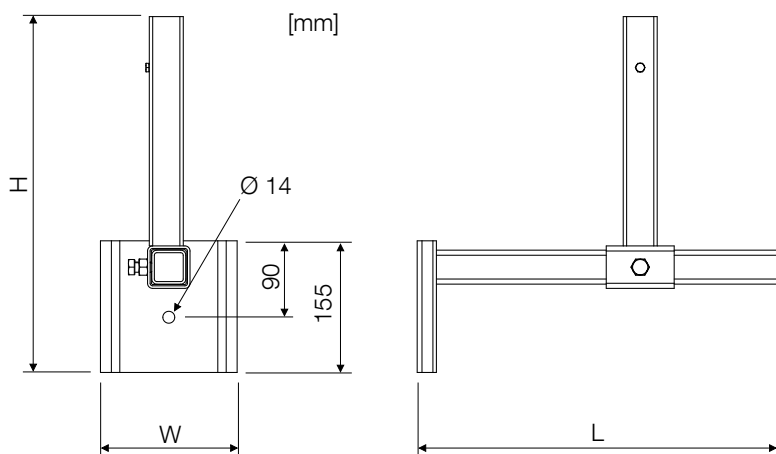
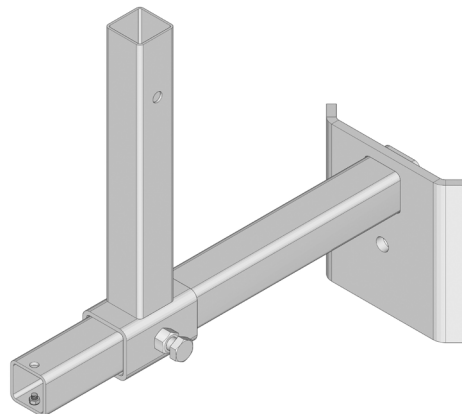
PART NO 5040041

VT STEELWEB 425

Fasadfäste justerbart 425 VT | VT Steelweb

-  L: 425 mm
-  W: 155 mm
-  H: 418 mm
-  3,9 kg
-  Steel + Zn (hot dip galvanized)
-  EN13374 – ABC

-   1,24 × 0,84 × 0,97 m
-  460 kg
-  100 pcs



ANCHOR LOADS (Q) ¹		(Unfactored)
	Alt. I	Alt. II
N _k	8,5 kN	12,5 kN
V _k	1,3 kN	1,3 kN

¹) EN 13374:2013
 $Q_{k,i} \times \gamma_F^* = E_d \leq R_d = R_k / \gamma_M (k_{mod}^{**})$
^{*} $\gamma_F = 1,5$ ^{**} for timber

