

STAIRWAYS

TECHNICAL INFORMATION



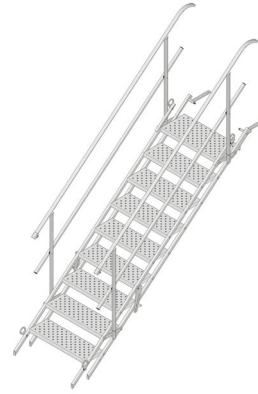
**WE
SAVE
LIVES**

SAFETYRESPECT®

CONFIGURATIONS

STAIRWAY 3–12 STEPS

- HDG Steel, with non-slip treads.
- Step width 70/100 cm.
- Single units.
- EN 12811, load class 2 (1,5 kN/m²)



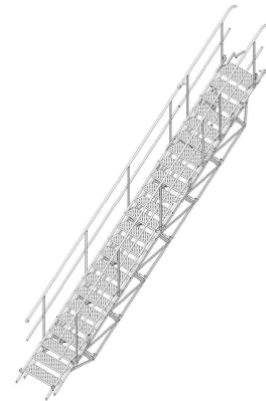
STAIRWAY 15–18 STEPS

- HDG Steel, with non-slip treads.
- Step width 70/100 cm.
- Single units.
- Comes with Stairway support
- EN 12811, load class 2 (1,5 kN/m²)



STAIRWAY 21–36 STEPS

- HDG Steel, with non-slip treads.
- Step width 70/100 cm.
- Connects two single units.
- Comes with Maxi support
- EN 12811, load class 2 (1,5 kN/m²)



STAIRWAY, WIDTH 70 CM

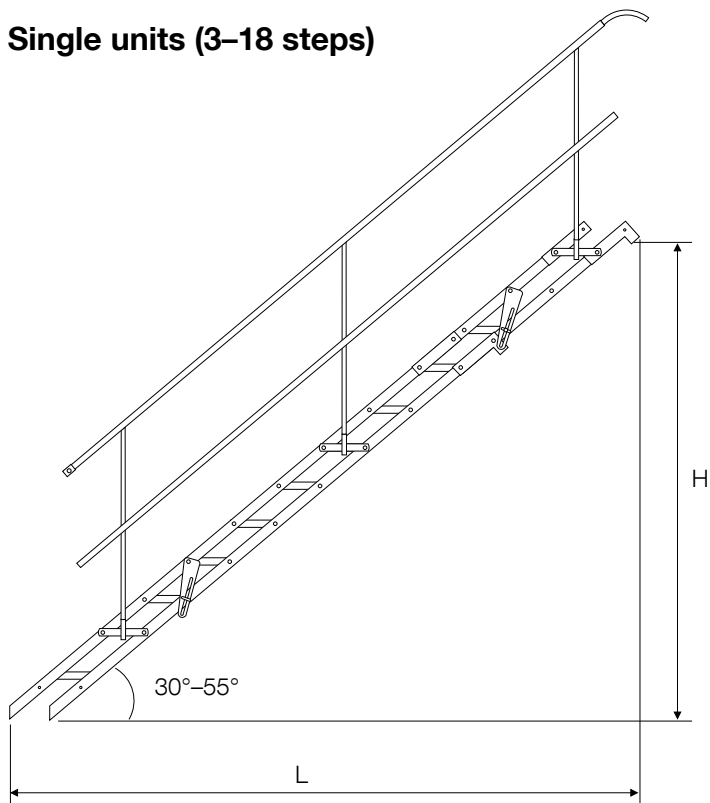
PART. NO.	PRODUCT NAME	WEIGHT
5060003	Stairway, width 70 cm, 3 steps	39 kg
5060006	Stairway, width 70 cm, 6 steps	61 kg
5060009	Stairway, width 70 cm, 9 steps	83 kg
5060012	Stairway, width 70 cm, 12 steps	110 kg
5060015	Stairway, width 70 cm, 15 steps	147 kg
5060018	Stairway, width 70 cm, 18 steps	174 kg

STAIRWAY, WIDTH 100 CM

PART. NO.	PRODUCT NAME	WEIGHT
5061003	Stairway, width 100 cm, 3 steps	43 kg
5061006	Stairway, width 100 cm, 6 steps	70 kg
5061009	Stairway, width 100 cm, 9 steps	97 kg
5061012	Stairway, width 100 cm, 12 steps	127 kg
5061015	Stairway, width 100 cm, 15 steps	170 kg
5061018	Stairway, width 100 cm, 18 steps	200 kg

SPECIFICATIONS

Single units (3–18 steps)



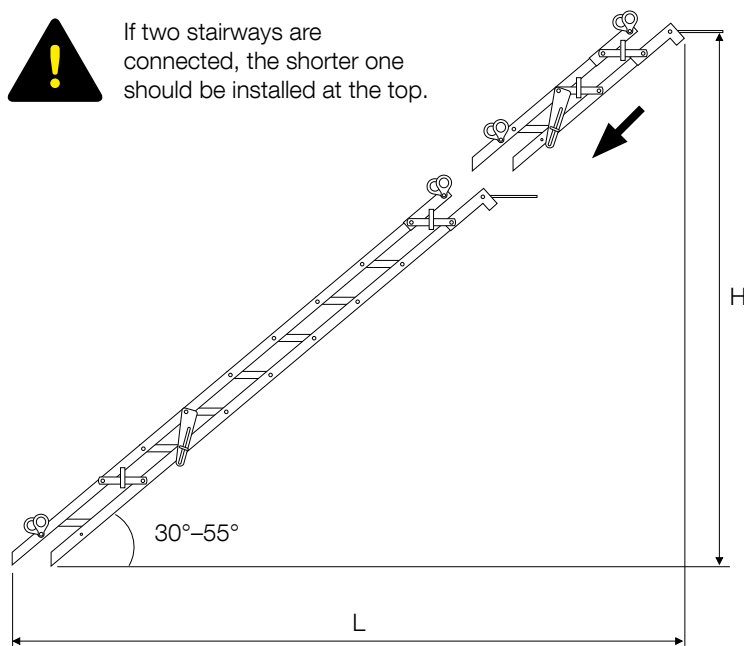
< 1,5 kN/m²
Max. 2 pers.

STEPS	H	L
3	510–835 mm	785–1085 mm
6	920–1505 mm	1255–1795 mm
9	1320–2160 mm	1715–2485 mm
12	1725–2825 mm	2180–3190 mm
15	2130–3490 mm	2645–3890 mm
18	2532–4155 mm	3110–4590 mm

Connected units (21–36 steps)



If two stairways are connected, the shorter one should be installed at the top.



< 1,5 kN/m²
Max. 2 pers.

STEPS	H	L
21	2900–4700 mm	3300–5000 mm
24	3400–5500 mm	3900–5800 mm
27	3750–6150 mm	4300–6500 mm
30	4200–6750 mm	4800–7100 mm
33	4600–7400 mm	5300–7900 mm
36	5000–8100 mm	5700–8600 mm



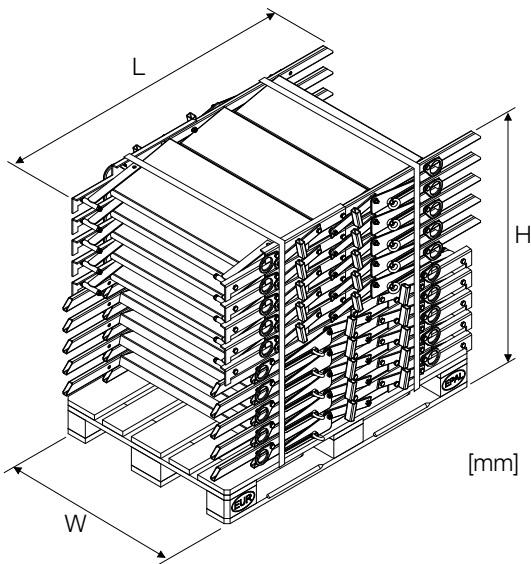
Read the user manual before installing or using the product.





We reserve the right to make technical changes. [Sep. 12 2024]





PACKAGING DETAILS



Stairway, width 70 cm

STEPS	L	W	H		
3	1640	900	1350	10 pcs	410 kg
6	2450	900	1350	10 pcs	630 kg
9	3260	900	1350	10 pcs	850 kg
12	4070	900	1350	10 pcs	1140 kg
15	4610	900	750	5 pcs	775 kg
18	5420	900	750	5 pcs	910 kg

Stairway, width 100 cm

STEPS	L	W	H		
3	1640	1200	1350	10 pcs	450 kg
6	2450	1200	1350	10 pcs	720 kg
9	3260	1200	1350	10 pcs	990 kg
12	4070	1200	1350	10 pcs	1310 kg
15	4610	1200	750	5 pcs	890 kg
18	5420	1200	750	5 pcs	1040 kg