

TRENCH BRIDGES

TECHNICAL INFORMATION



**WE
SAVE
LIVES**

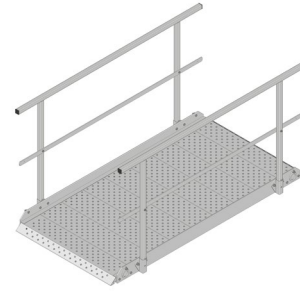
SAFETYRESPECT®

CONFIGURATIONS

TRENCH BRIDGE 2 M

Part no. 5062020N

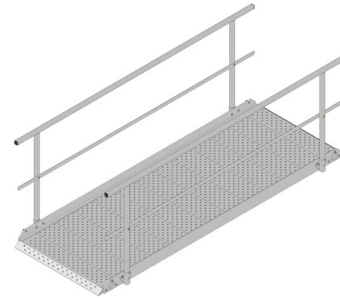
- HDG Steel, with non-slip treads.
- Max load 5 kN/m².
- Weight 136 kg.
- EN 12811, load class 5.



TRENCH BRIDGE 3 M

Part no. 5062030N

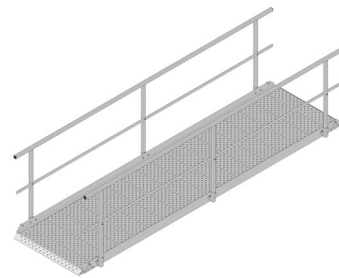
- HDG Steel, with non-slip treads.
- Max load 5 kN/m².
- Weight 190 kg.
- EN 12811, load class 5.



TRENCH BRIDGE 4 M

Part no. 5062040N

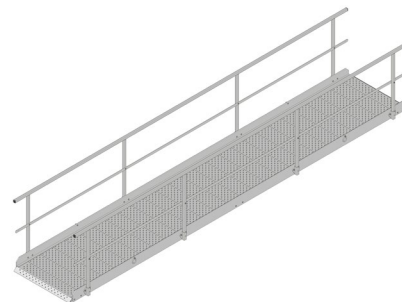
- HDG Steel, with non-slip treads.
- Max load 5 kN/m².
- Weight 263 kg.
- EN 12811, load class 5.



TRENCH BRIDGE 6 M

Part no. 5062060N

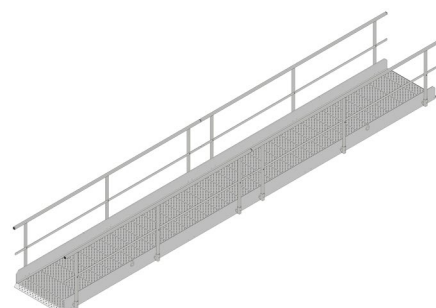
- HDG Steel, with non-slip treads.
- Max load 5 kN/m².
- Weight 465 kg.
- EN 12811, load class 5.



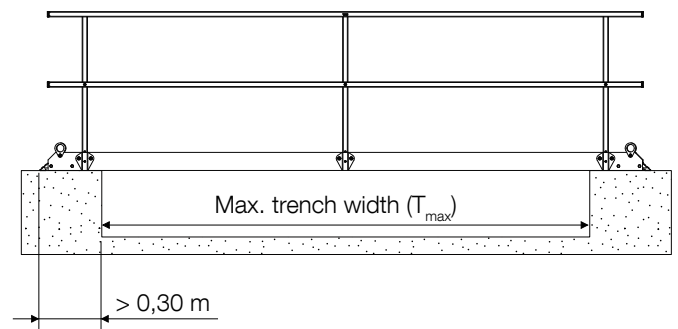
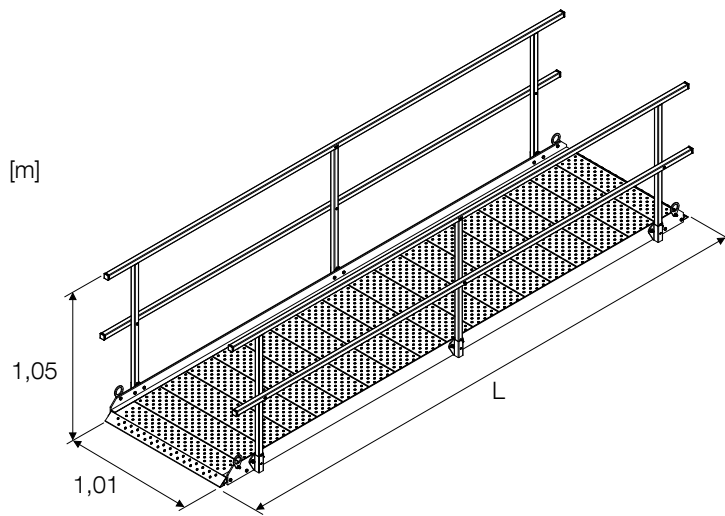
TRENCH BRIDGE 8 M

Part no. 5062060N

- HDG Steel, with non-slip treads.
- Max load 5 kN/m².
- Weight 743 kg.
- EN 12811, load class 5.



SPECIFICATIONS

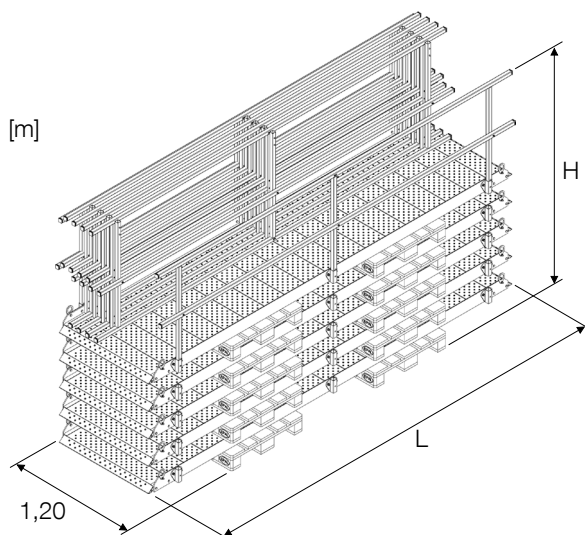




PRODUCT NAME	L	T_{MAX}
Trench bridge 2 m	2,04 m	1,4 m
Trench bridge 3 m	2,94 m	2,3 m
Trench bridge 4 m	4,06 m	3,4 m
Trench bridge 6 m	6,09 m	5,4 m
Trench bridge 8 m	8,00 m	7,3 m



Read the user manual before installing or using the product.

PACKAGING DETAILS



PRODUCT NAME	L	H		
Trench bridge 2 m	2,04 m	2,40 m	5 pcs	780 kg
Trench bridge 3 m	2,94 m	2,40 m	5 pcs	1050 kg
Trench bridge 4 m	4,06 m	2,40 m	5 pcs	1515 kg
Trench bridge 6 m	6,09 m	1,80 m	3 pcs	1515 kg
Trench bridge 8 m	8,00 m	1,80 m	2 pcs	1650 kg

